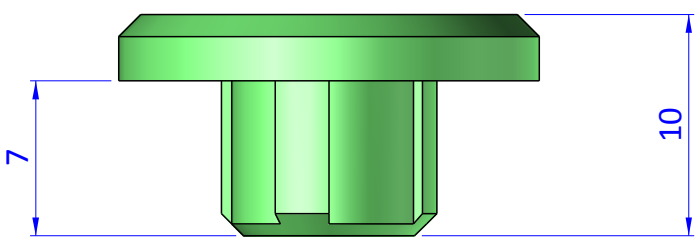
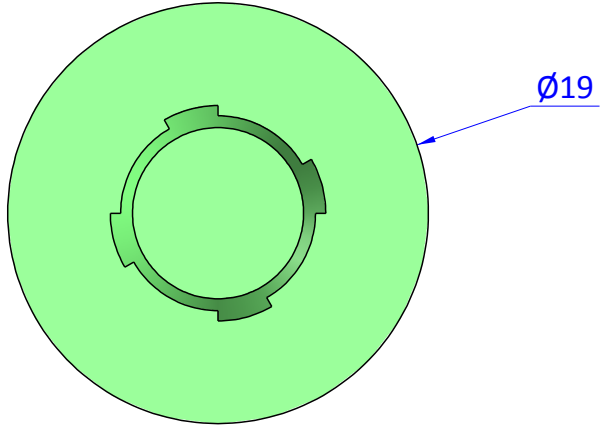
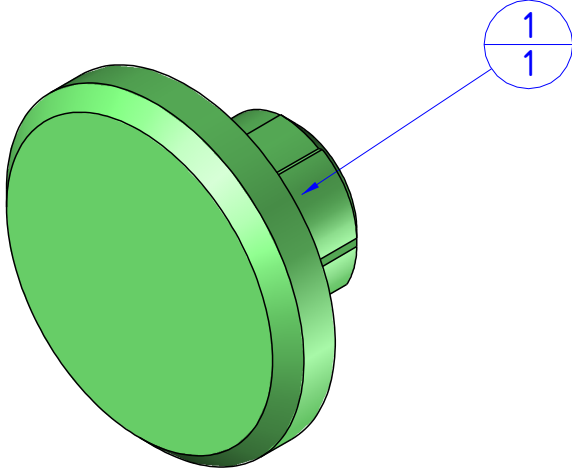

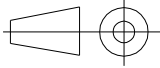


Item	Name	Qty.
1	PPS.3015.07.V	1



THE PROPERTY OF THE DRAWING IS ESTABLISHED BY LAW. IT IS FORBIDDEN TO PRODUCE OR SHOW IT TO THIRD PART. WITHOUT A WRITTEN AGREEMENT.

<b>Format</b> A4  UNI 936-76				DESIGNED FROM	REVIEW
				FPS Automation	A
	GENERAL TOLERANCE	DESCRIPTION		DATE	WEIGHT
UNI - ISO 2768	PPS.3015.07.V	29/07/2019	0,002kg		
CLASSE f		CODE	PPS.3015.07.V		